



BZE6-2RN72



Enclosed Switches Series E6: Top Plunger Actuator; 1NC 1NO SPDT Snap Action; 0.5 in - 14NPT conduit

Actual product appearance may vary.

Features

- Side or flange mount
- Momentary or maintained contact
- Grounding screw
- High capacity (22 amp) available
- Temperature range -32 °C to +71 °C [-25 °F to +160 °F]
- Zinc Die-Cast housing NEMA 1
- UL Recognized, file #E12252
- CSA Certified, file #LR41372
- NEMA 1, 3, 4 /IP66
- Pre-leaded or connector termination options

Potential Applications

- Packaging equipment
- Special machinery
- Textile machinery
- Conveyors
- Construction machinery and equipment
- Printing trades machinery
- Overhead cranes and hoists

Description

MICRO SWITCH™ E6 (side mount) and V6 (flange mount) switches are offered with or without actuator seal boots. Both have a combination insulator/seal cemented inside the bottom enclosure. Lead washers are used to seal the mounting holes on side mount switches. All side mount switches are installed with #6 screws, except the BZE6-2RN7 (#8 screws). Removal of the bottom enclosure exposes the terminals for easy wiring.

Product Specifications	
Availability	Global
Operating Force (O.F.)	2,50 N to 6,67 N [9 oz to 24 oz]
Release Force (R.F.)	1,11 N min. [4 oz min.]
Pretravel (P.T.)	1,98 mm max. [0.078 in max.]
Overtravel (O.T.)	5,56 mm min. [0.219 in min.]
Differential Travel (D.T.)	0,05 mm max. [0.002 in max.]
Product Type	Enclosed Switches
Actuator	Top Plunger
Circuitry	1NC 1NO SPDT Snap Action
Ampere Rating	1 A max.
Supply Voltage	125 Vac max.
Housing Material	Zinc Die-Cast
Termination Type	0.5 in - 14NPT conduit
Housing Type	Split Housing, Side Mount
Series Name	E6/V6
Sealing	NEMA 1, 3, 4 /IP66
Approvals	UL recognized, CSA certified
CSA File #	LR41372
UL File #	E12252
Operating Temperature Range	-32 °C to 71 °C [-25 °F to 160 °F]
Comment	Gold contacts; With seal boot on plunger
UNSPSC Code	302119
UNSPSC Commodity	302119 Switches and controls and relays
Sealed	Industrial

MICRO SWITCH
 FREEPORT, ILLINOIS, U.S.A.
 A DIVISION OF HONEYWELL
 FED. MFG. CODE 91929

SWITCH-ENCLOSED

CATALOG LISTING
BZE6-2RN72

M BZE6-2RN72

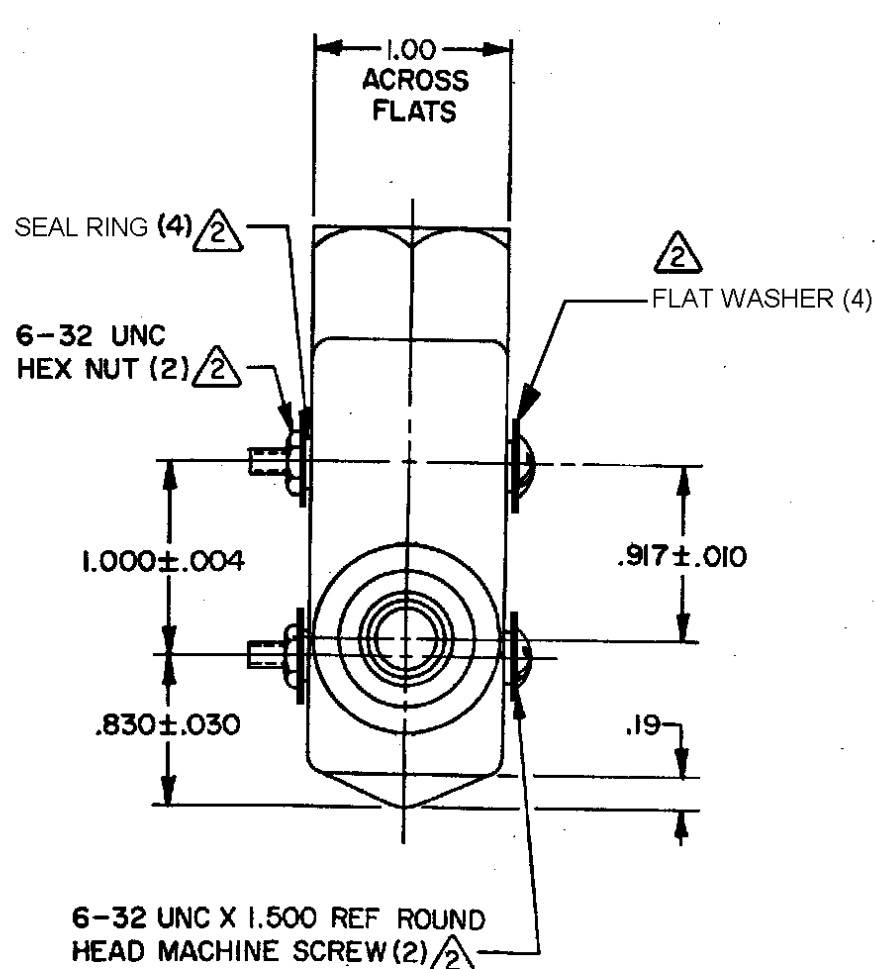
DRAWING NUMBER
 10

ISSUE

REVISIONS

A	CO-38200	24 AUG 77
B	CO53191-G	25 AUG 77
C	CO55989	8 NOV 84
D	CO54958	6 JAN 85
E	CO72476	4 SEP 92
F	CO-77364	16 AUG 94
G	0017057	

FO-92851-A
 DRAWN
 SLB 24 AUG 77
 CHECK K P K 25 AUG 77
 BP 22 NOV 05
 CHECK R O B
 CHECK
 RELEASE NO.



ELASTOMER PLUNGER SEAL SECURED TO COMPONENTS BY EXTERNAL BANDING

HARDENED STEEL PLUNGER

.33 DIA
 .47 SPHERICAL R

.078 MAX PRETRAVEL

1.719 ± .030 OPERATING POSITION

.750 ± .030

.62 DIA

.890 ± .030

1/2-14 NPT THREAD

6-32 UNC X .312 REF FLAT HEAD SELF LOCKING SCREW

.914 REF

NORMALLY CLOSED TERMINAL

NORMALLY OPEN TERMINAL

COMMON TERMINAL

6-32 UNC X 1.000 REF FLAT HEAD SELF LOCKING SCREW

COVER
 GASKET

2.740 ± .020

3.040 ± .030

NOTES -

- 1 - 6-32 UNC X .219 REF BINDING HEAD TERMINAL SCREW AND CUPWASHER (3)
- 2 - FURNISHED UNASSEMBLED
- 3 - SEAL RATING: NEMA1,3
IP54

THIS DRAWING COVERS A PROPRIETARY ITEM AND IS THE PROPERTY OF MICRO SWITCH, A DIVISION OF HONEYWELL. THIS DRAWING IS NOT TO BE COPIED OR USED WITHOUT THE APPROVAL OF MICRO SWITCH.

CHARACTERISTICS	ELECTRICAL DATA	SCALE FULL
OPERATING FORCE-----9-24 OZ	CONTACT ARRANGEMENT S P D T	DO NOT SCALE PRINT
RELEASE FORCE-----4 OZ MIN	CODE L22 1A-125 VAC	UNLESS OTHERWISE NOTED
DIFFERENTIAL TRAVEL-----.002 MAX	CE 1.5A, 240Vac	DIMENSIONS ARE IN INCHES
OVERTRAVEL-----.219 MIN		TOLERANCES ARE:
BASIC SWITCH REPLACEMENT---BZ-2RQ7722		ONE PLACE (.0) ±.030
		TWO PLACE (.00) ±.015
		THREE PLACE (.000) ±.005
		ANGLES ±
		WEIGHT .56 LB